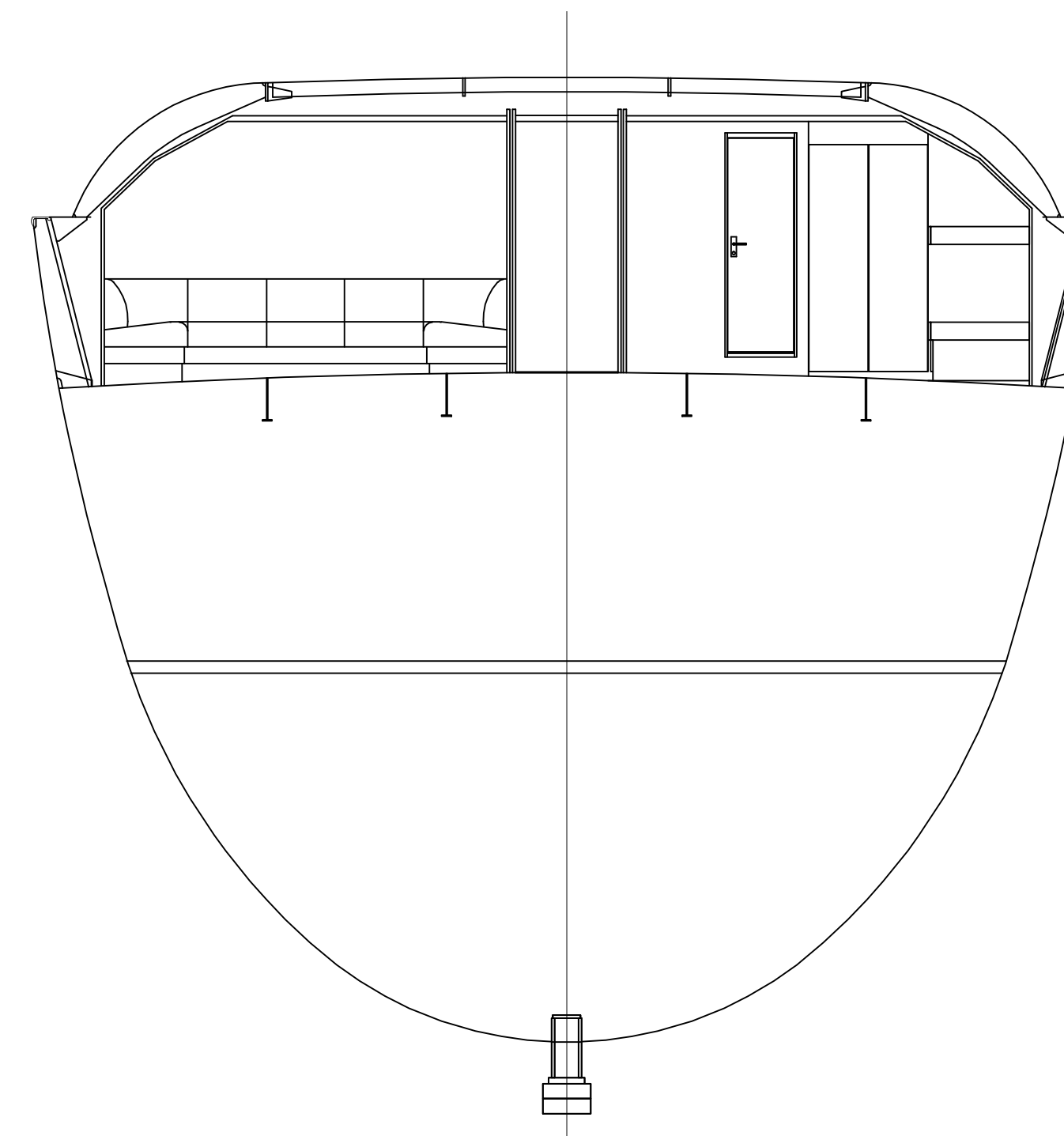
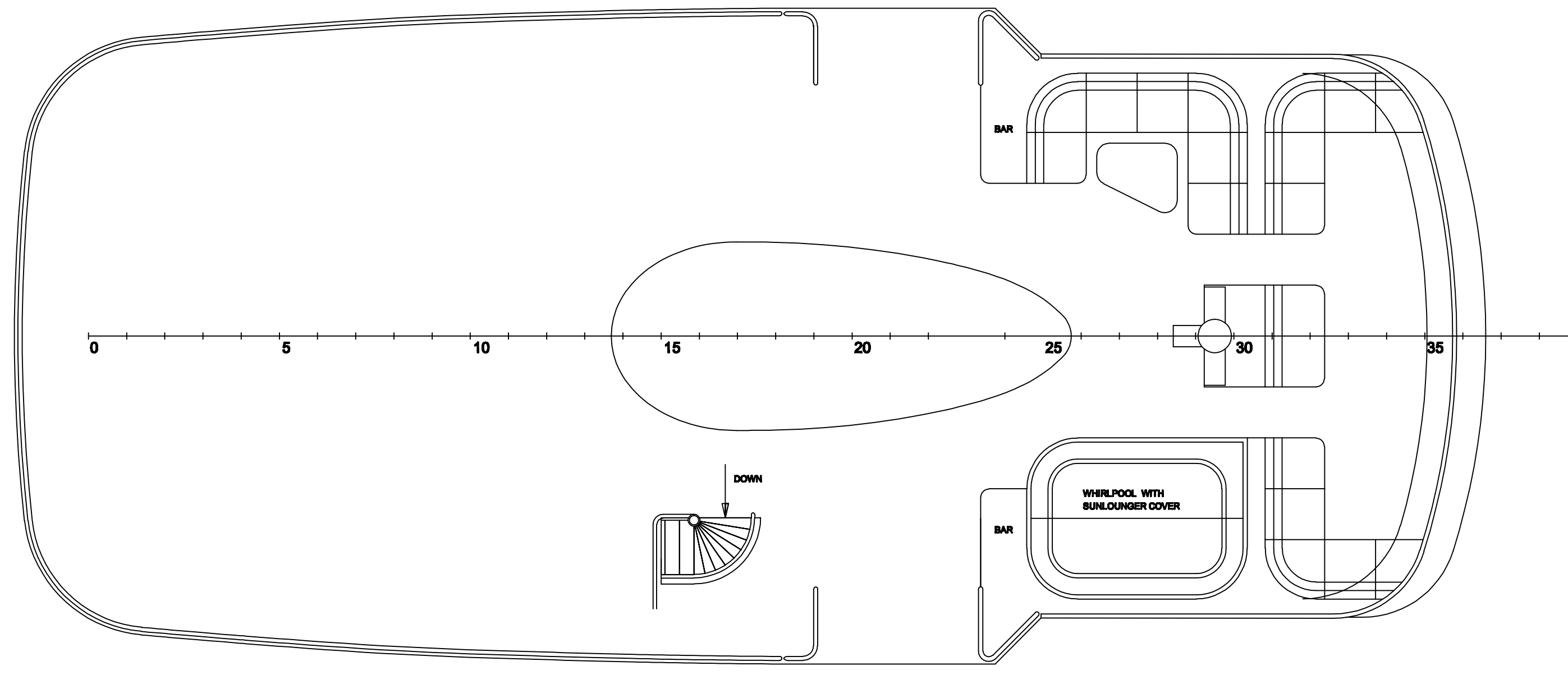
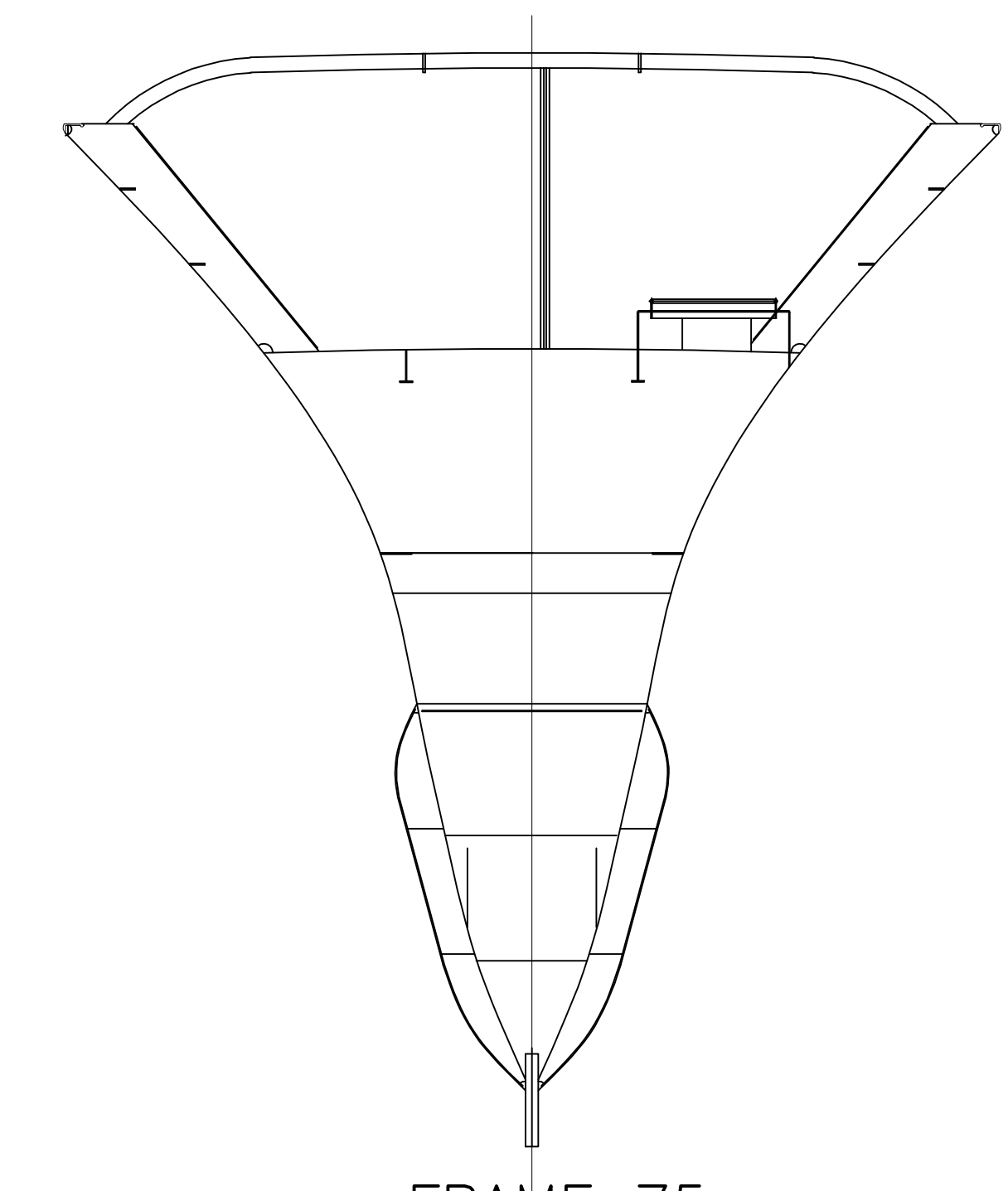


TOP OF WHEELHOUSE DECK

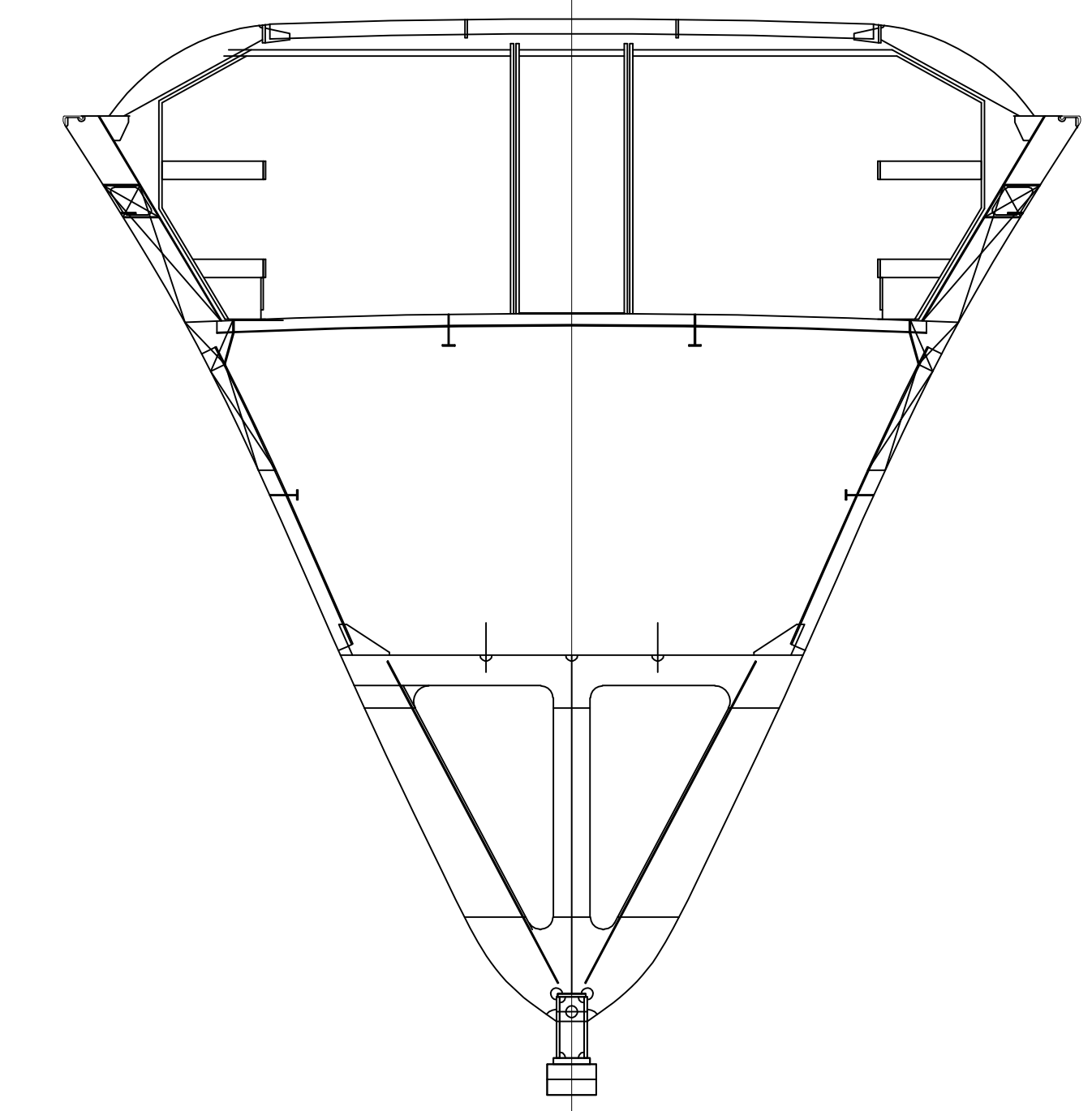
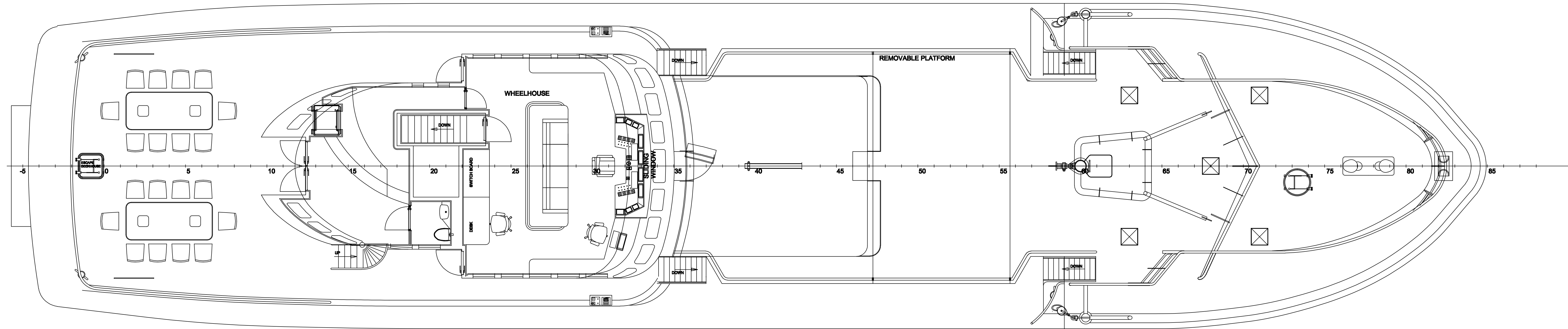


FRAME 63



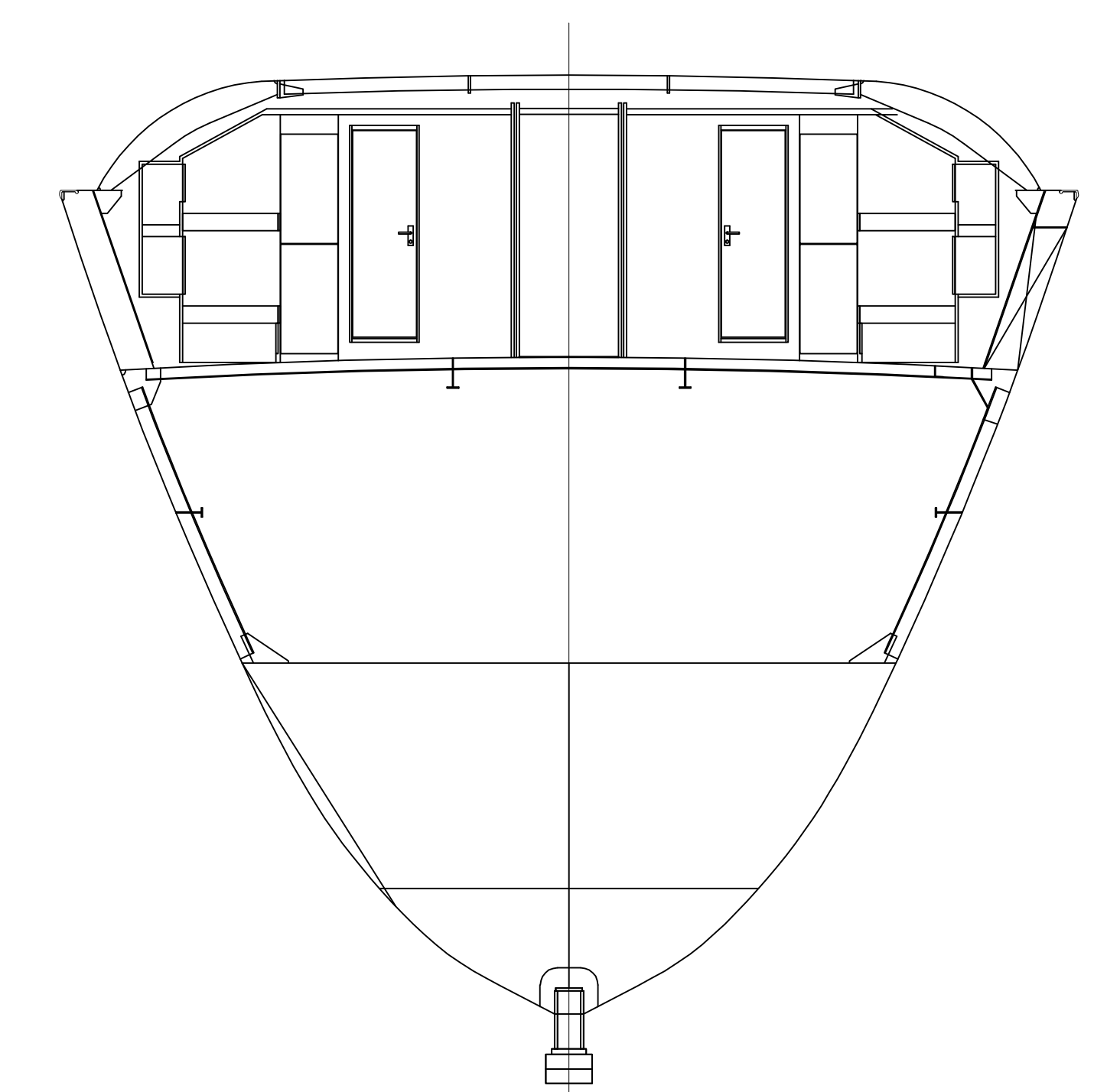
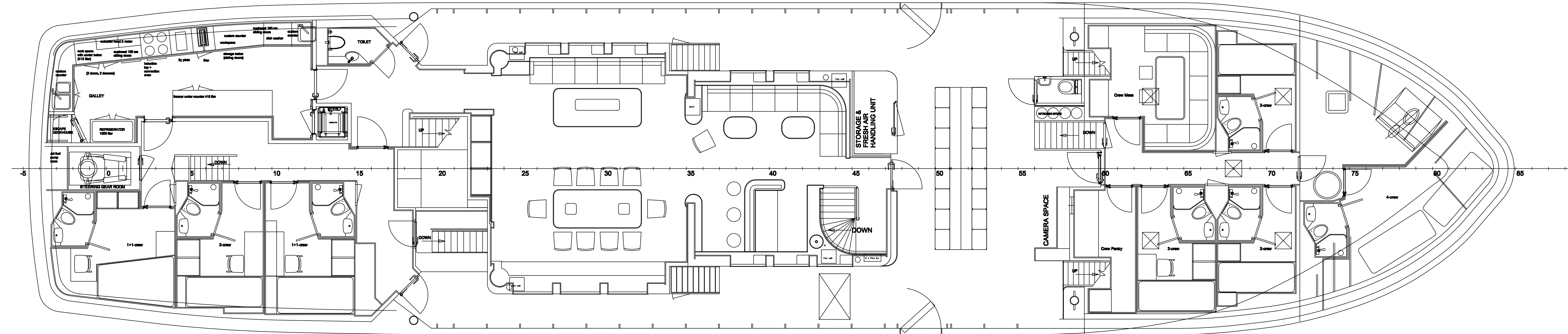
FRAME 75

WHEELHOUSE DECK



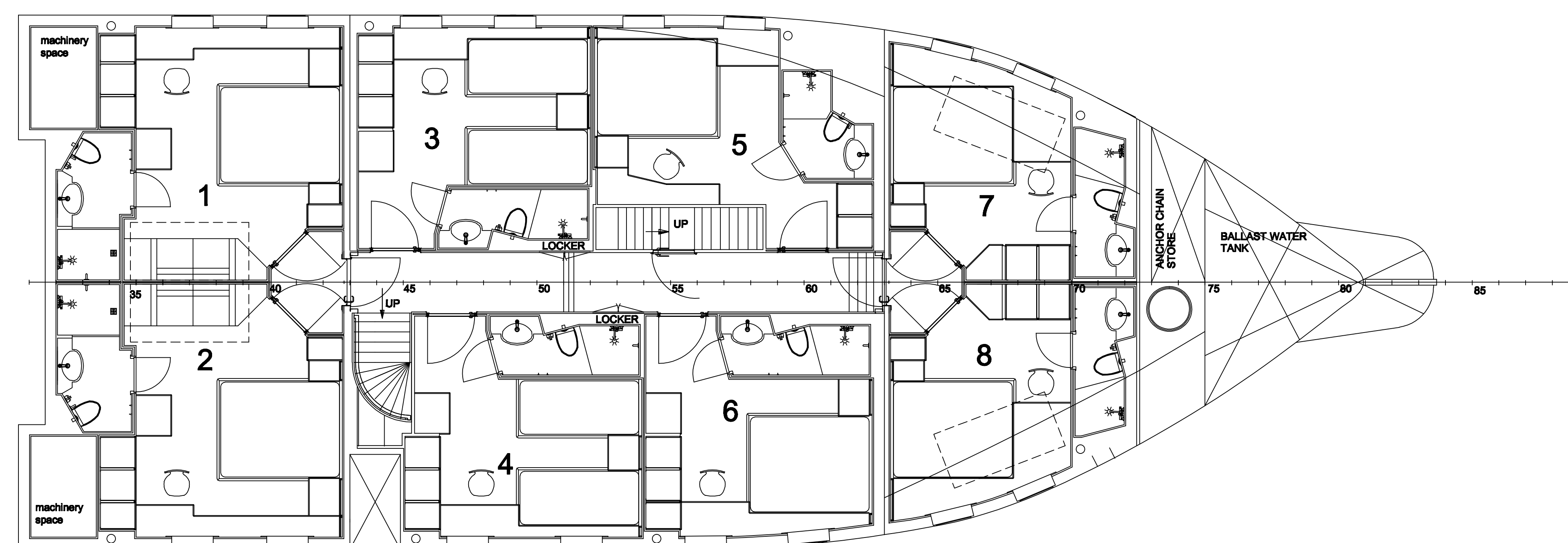
FRAME 71

MAIN DECK



FRAME 67

STATEROOMS DECK



A	-	PS	19.05.09
REV	MODIFICATION	BY	DATE
OWNER			
BUILDER			
INTERIOR OUTFITTING			
INTERIOR DESIGN	Peter Sampson Design OU Narva mnt 14, 10200 Tallinn, ESTONIA www.peter-sampson.com		
PROJECT	Expedition yacht		
TITLE	General Arrangement		
DRG NO :	P080902-601		