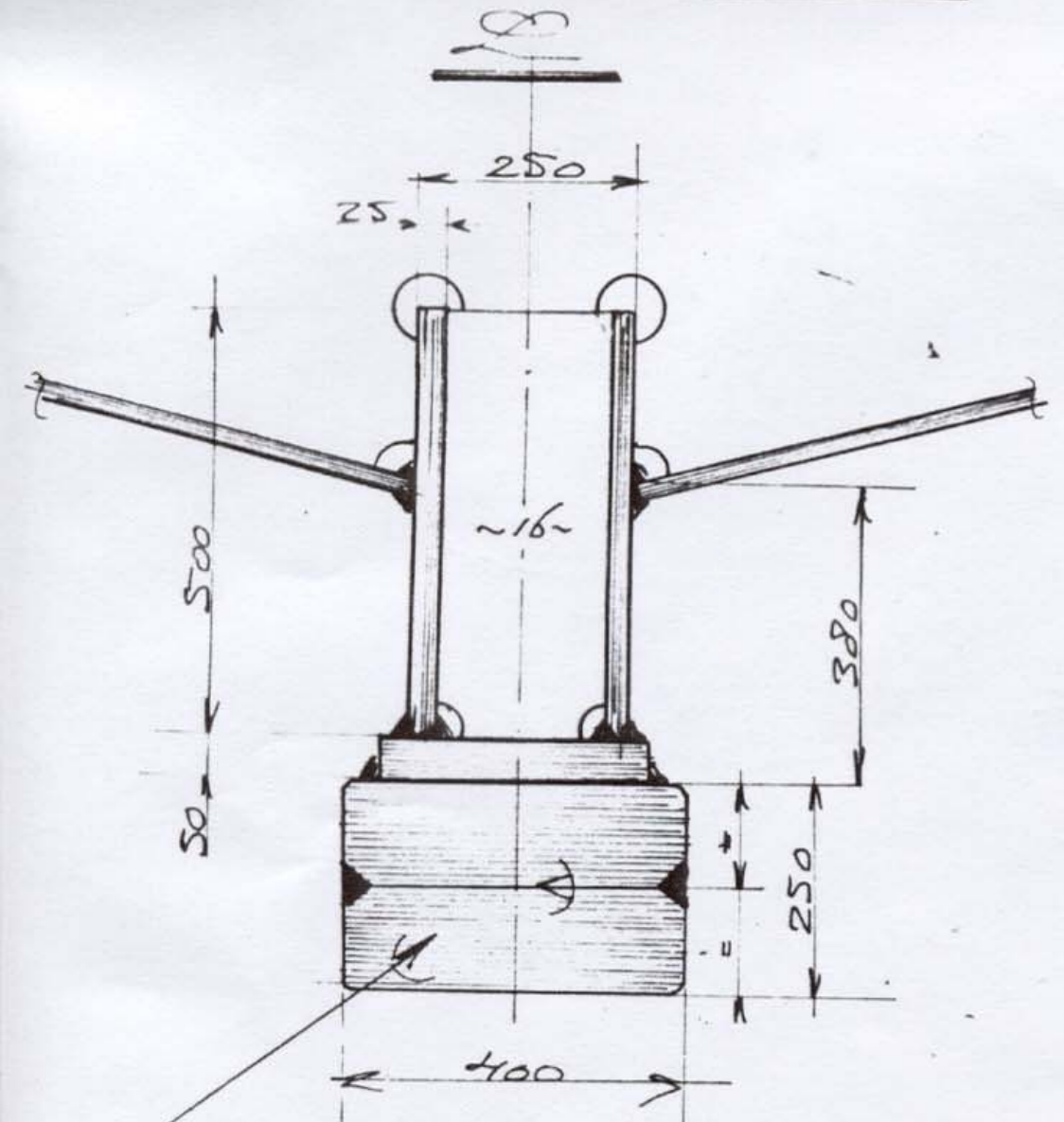
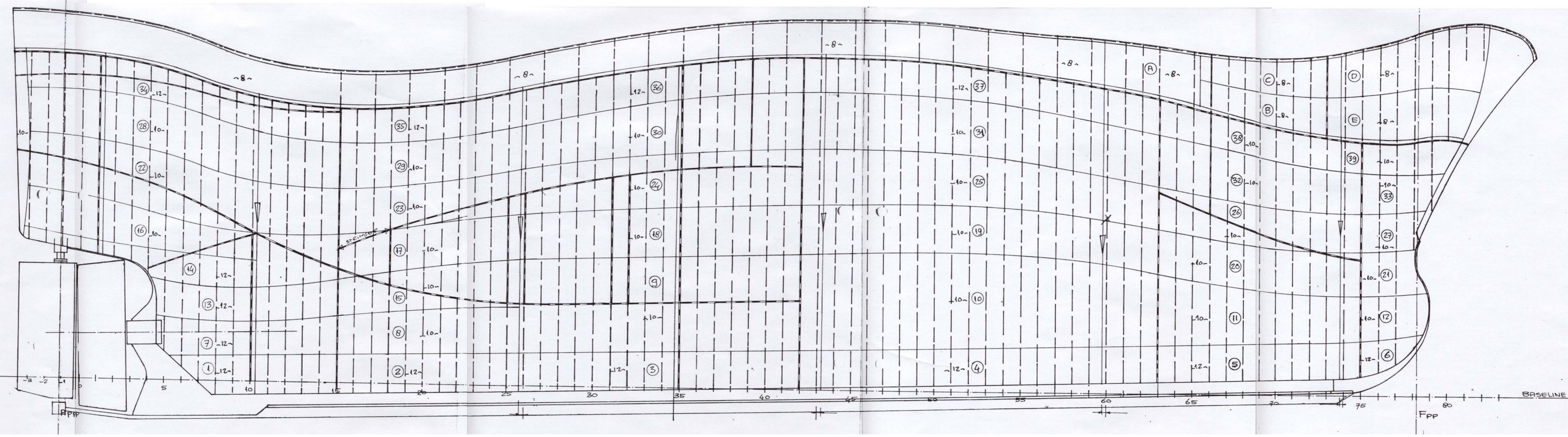


Detail keel construction



Additional "ballast keel"
only for 276/14 & following



Shell expansion plan - m.v. Rembrandt
www.expeditionyacht.org